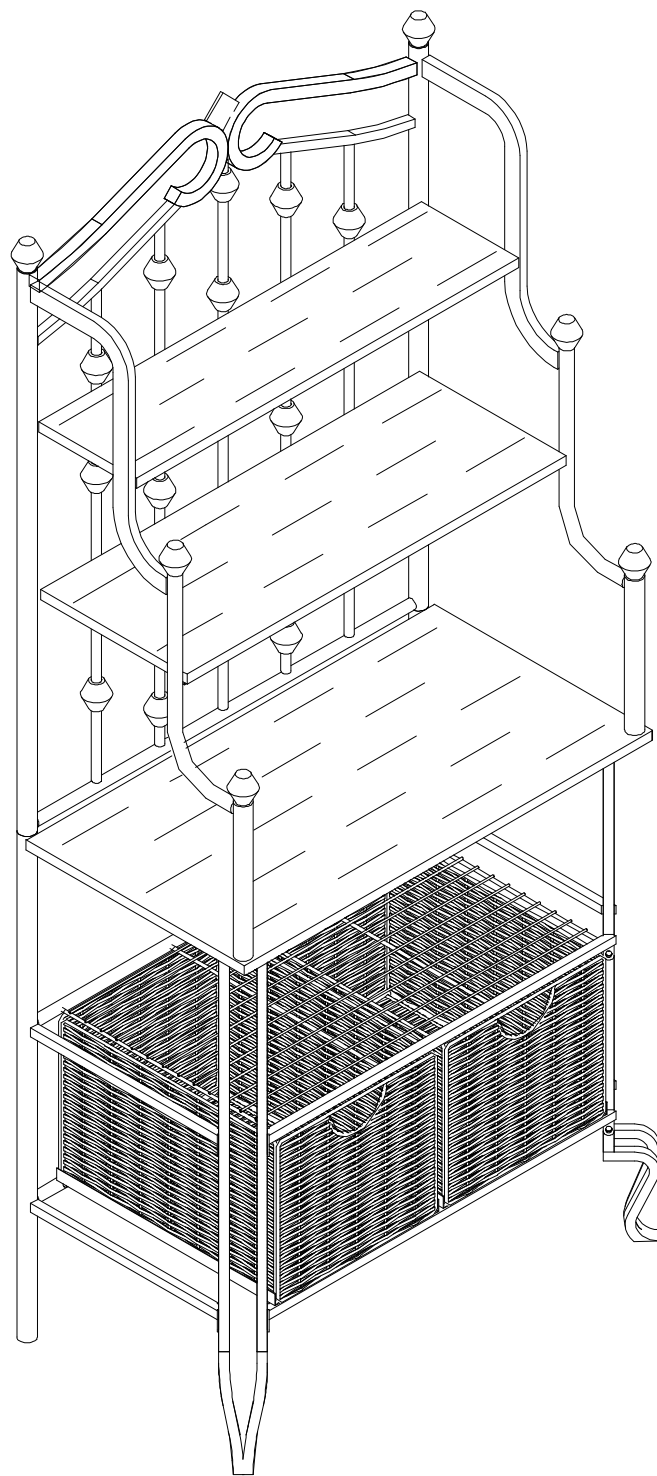


# BAKERS RACK

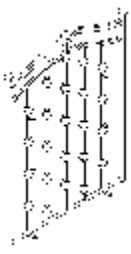





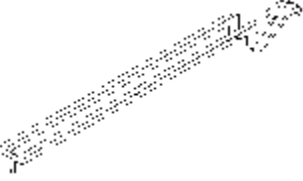
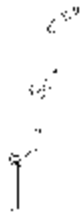
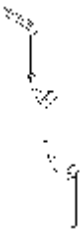




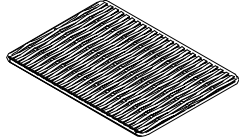
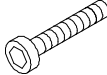

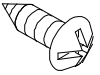

## Assembly Instructions



# BAKERS RACK

## Parts List

Please review all parts and hardware before disposing of any packaging. Call Customer Service if missing hardware. Using a screw that is too long will cause damage. Before beginning assembly, separate each type of screw. Carefully study the diagrams below. You may receive extra hardware with your unit.

<b>A Upper Back Frame</b>  Quantity of 1	<b>B Bottom back Frame</b>  Quantity of 1	<b>C. Left Metal cross bar</b>  Quantity of 2
<b>D. Right Metal cross bar</b>  Quantity of 2	<b>E. Wire shelf</b>  Quantity of 1	<b>F. Bottom Frame</b>  Quantity of 1
<b>G. Leg</b>  Quantity of 2	<b>H. Left side arm</b>  Quantity of 1	<b>J. Right side arm</b>  Quantity of 1
<b>K. Large wood panel</b>  Quantity of 1 28"*15-3/8"	<b>L. Middle wood panel</b>  Quantity of 1 26" * 10"	<b>M. Small wood panel</b>  Quantity of 1 26.25"*6-7/8"
<b>N. Wicker basket</b>  Quantity of 2	<b>O. Wicker bottom panel</b>  Quantity of 2	<b>1. Long Bolt</b>  Quantity of 8 1/4" X 1-1/2"
<b>2. Short Bolt</b>  Quantity of 10 1/4" X 1/2"	<b>3. Wood screw</b>  Quantity of 10 4.0*1/2"	<b>4. Allen Wrench</b>  Quantity of 1

### Care and Cleaning Instructions:

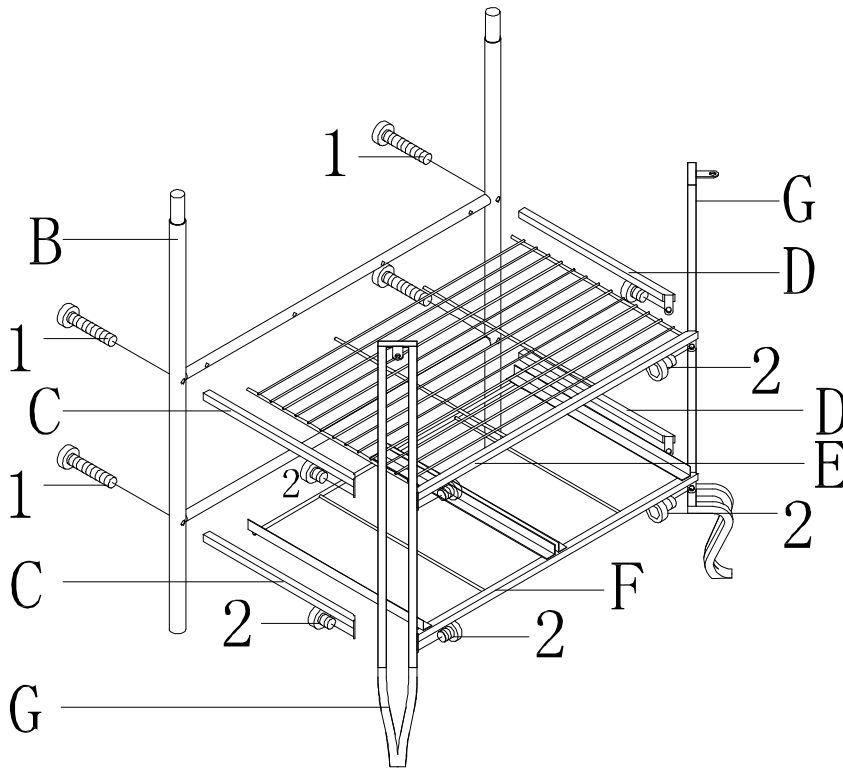
Before using, wipe with a clean, dry cloth. Avoid rubbing or scratching the surface with rough or abrasive objects.

**Assembly Tool Required**  
**No.2 Phillips Screwdriver (Not Included)**



# BAKERS RACK

## Assembly Instructions



### Assembly Instructions:

Unpack and lay parts on clean, padded surface like carpet or blanket. Check that you have all parts indicated on the front page.

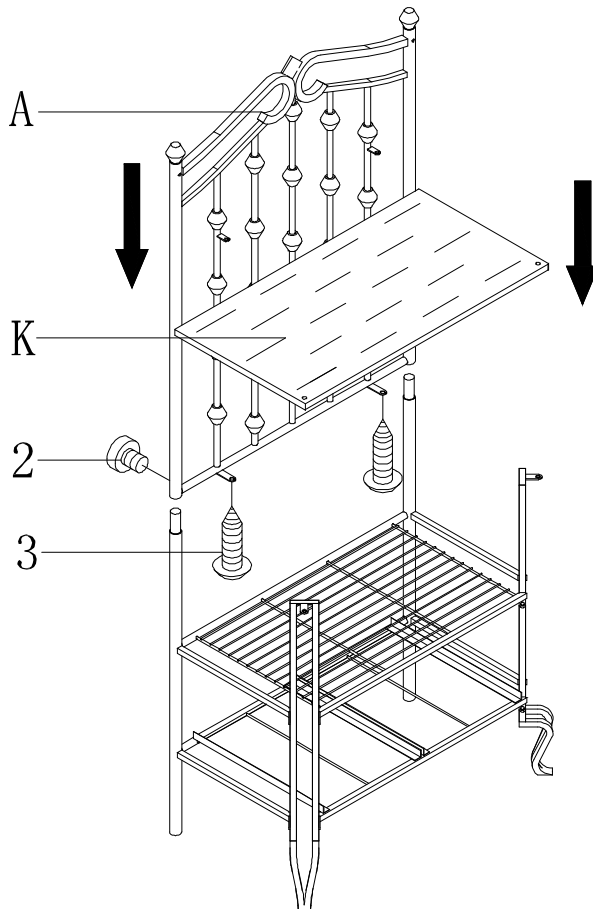
Insert 4pcs long bolt (1) through holes on Bottom back frame (B) to attach 4pcs Metal Cross bar (C&D).

Insert 4pcs Short bolt (2) through holes on Metal Cross bars (C&D) to attach 2pcs Legs(G).

Insert 2pcs Short bolt (2) through holes on Bottom Frame (F) to attach 2pcs Legs(G)

Insert 2pcs Short bolt (2) through holes on Wire shelf (E) to attach 2pcs Legs(G).

Figure 1



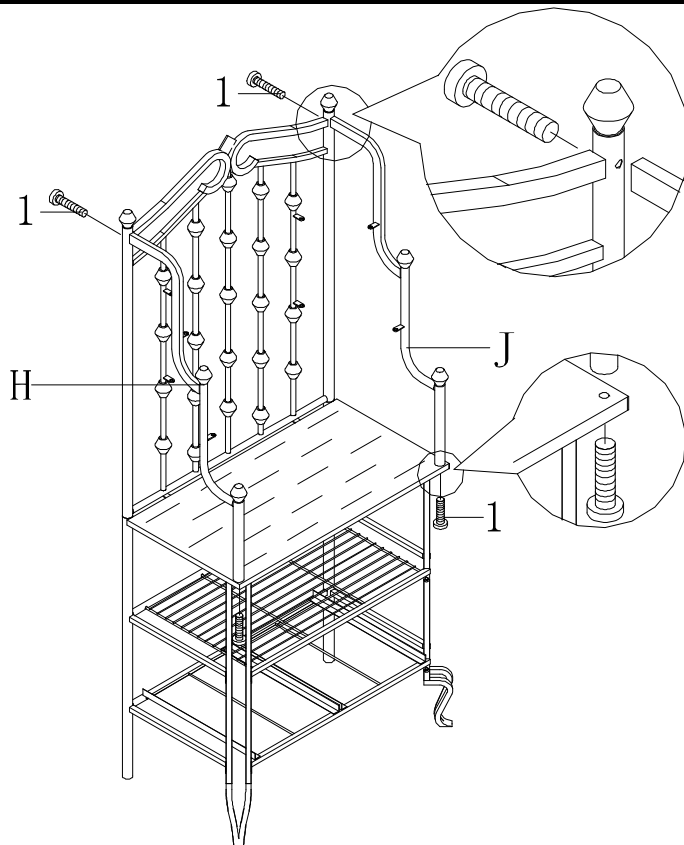
Please insert Upper back panel(A) onto bottom back panel(B) and then Insert 2pcs Short bolt (2) through holes on back Frame(A) to attach bottom back Frame(B).

Put the Large wood panel (K) onto the Upper back Frame(A) & Legs(G) and then insert 2pcs wood screw(3) through holes on back Frame(A) to attach Large wood panel(K)

Figure 2

# BAKERS RACK

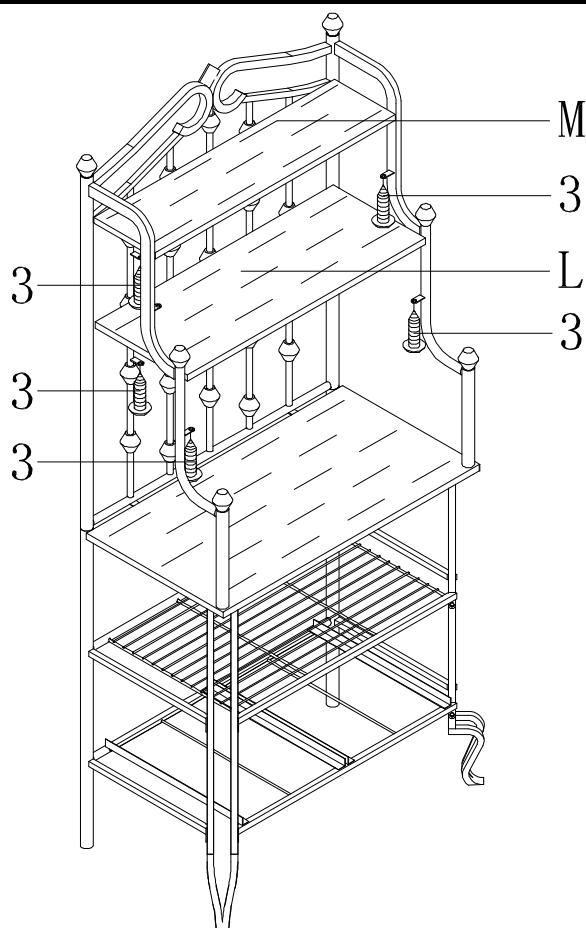
## Assembly Instructions



Insert 2pcs long bolt (1) through holes on Upper Back Frame (A) to attach the 2pcs Side arm (H & J) by tightening the Long Bolt (1).

Then Insert 2pcs Long Bolt (1) through holes on Legs (G) & Wood panel (K) to attach the 2pcs Side arm (H & J).

Figure 3



Step 1:

Put the Small wood panel (M) onto the Upper back Frame (A) & Side arms (H & J) and insert 4pcs wood screw (3) through holes on back Frame (A) & Side arms (H & J) to attach small wood panel (M) by NO.2 phillips screwdriver (Not included)

Step 2:

Repeat above steps to attach the Middle wood panel (L) onto the back Frame (A) & Side shelf (H & J) using NO.2 phillips screwdriver (Not included)

Figure 4

# BAKERS RACK

## Assembly Instructions

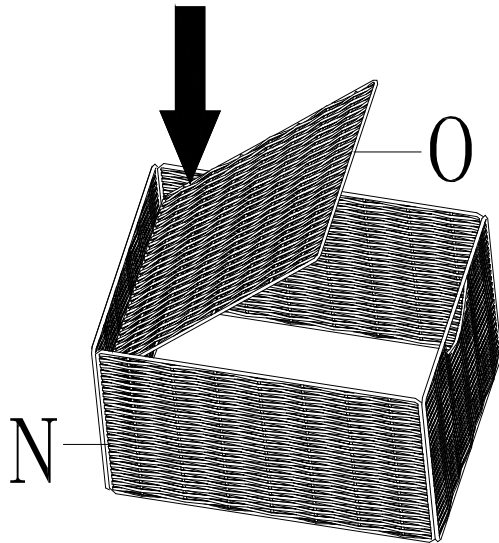


Figure 5

Please slide one side of Basket Bottom Panel (O) all the way down into the bottom of Wicker Basket (N) by hand.

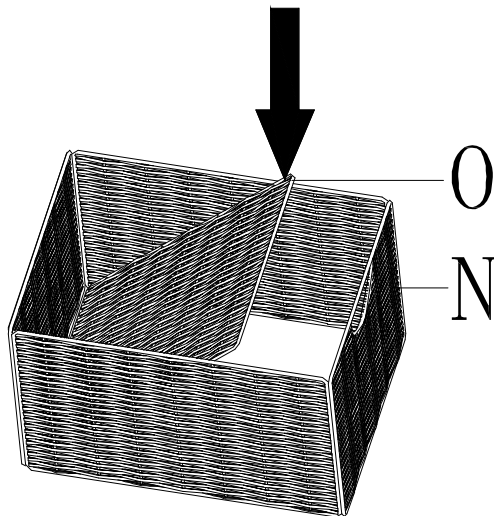


Figure 6

Then slowly push the other side of Basket Bottom Panel (O).

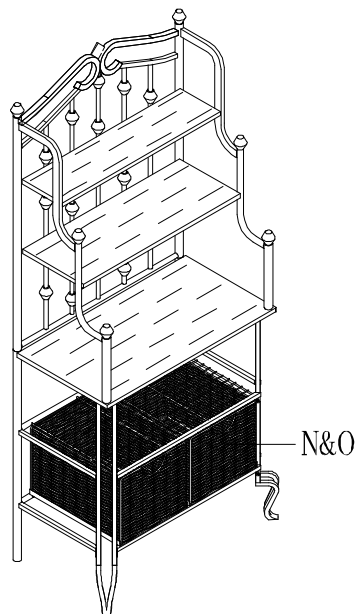


Figure 7

Place the finished baskets onto Bottom Frame (F).

# Parts Replacement Form

## Customer Information

Name

---

Address

---

City/State/Zip Code

---

Phone Number

---

Please indicate where you purchased this item: Store/Website/Catalog

---

Please indicate color/size/style number:

---

**Style No**

**Parts Letter**

**Parts Description**

**Quantity Needed**

---

---

---

Please contact the retailer that you purchased from for returns.